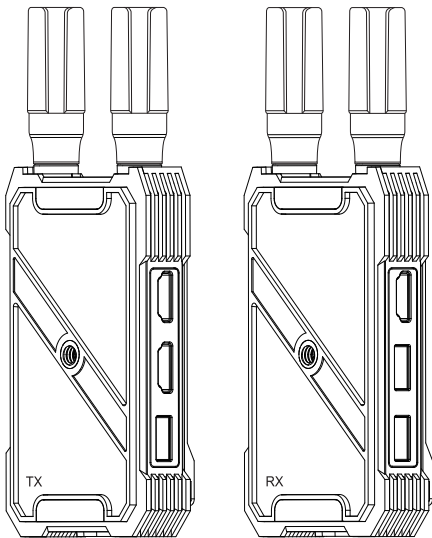


WIRELESS HDMI TRANSMITTER AND RECEIVER WL082K(KVM)



User Manual

V1.0.0

HDMI[®] IC
REGISTERED TRADEMARK OF HANGZHOU HANTHINK ELECTRONICS



210-201113

CE

FC

SRRCC



RoHS



FOREWORD

Thank you for purchasing this product.

For optimum operation, please read this manual carefully before use.

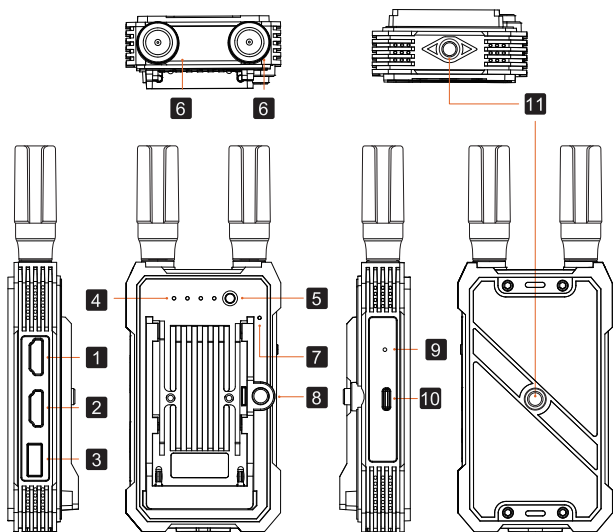
Tips: TX for transmitter, RX for Receiver.

The kits were auto paired before factory. (Except extra add RX need to pair).

FEATURES

- ◆ Using H.265 encoding technology to provide high-definition image quality beyond the same grade 1080P devices.
- ◆ Supports output maximum resolution of 1080P@60Hz.
- ◆ Ultra-long transmission distance up to 1312FT/400 meters.
- ◆ Low latency 0.05 seconds.
- ◆ Supports 1-to-5 video transmission mode;
- ◆ Support KVM applications by expanding external USB keyboard and mouse functionality at the RX end.
- ◆ Wireless KVM supports multi-terminal remote control. Multiple sets of keyboards, mice, and monitors can be connected to control the source device simultaneously, although only one set can interact with the system at any given time.
- ◆ Supports 3 ways power supply including NP-F battery, power bank, or via USB-C DC ports.
- ◆ Compact design with low power consumption for long-term operation.

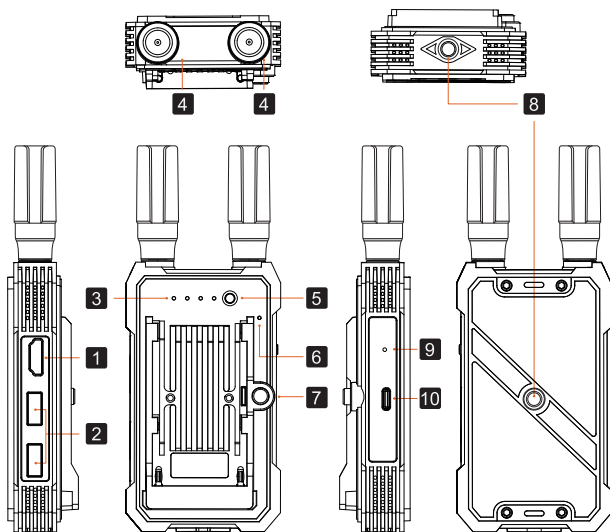
INTERFACE



A Transmitter(TX)

- | | | | | | |
|---|--|---|------------------------|----|---------------|
| 1 | HDMI IN | 6 | Antenna | 10 | Power 5V2A |
| 2 | LOOP OUT | 7 | Link LED | 11 | Mounting Hole |
| 3 | USB to PC | 8 | Battery Removal Button | | |
| 4 | Battery Remind LED | 9 | RESET | | |
| 5 | Power Switch (Long press for 3 seconds to power off) | | | | |

INTERFACE

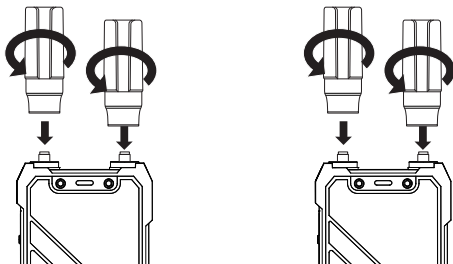


B Receiver(RX)

- | | |
|--|---------------------------------|
| 1 HDMI OUT | 6 Link LED |
| 2 USB TO MOUSE/KEYBOARD | 7 Battery Removal Button |
| 3 Battery Remind LED | 8 Mounting Hole |
| 4 Antenna | 9 RESET |
| 5 Power Switch
(Long press for 3 seconds to power off) | 10 Power 5V2A |

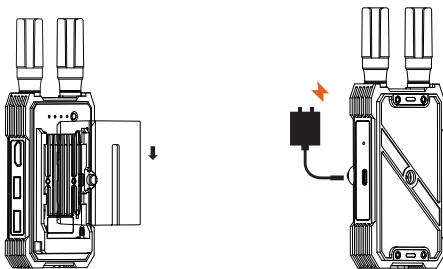
HOW TO CONNECT

1. Attach Antennas



2. Power On

Connect the power adapter or install an NP-F battery(TX/RX).
LED indicator lights up.



① Battery

Note: Batteries not included.

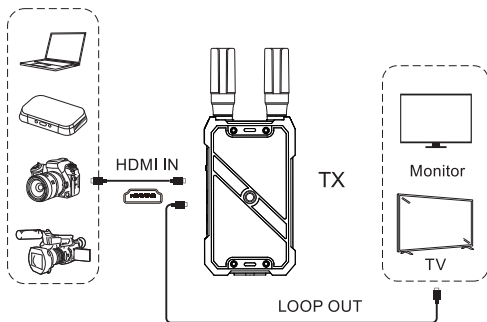
② USB cable

Plug TX and RX into power sources using included adapters.

HOW TO CONNECT

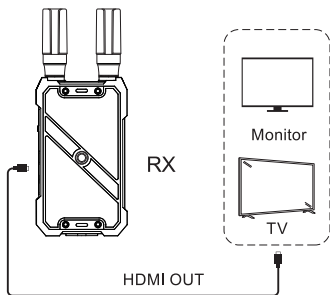
3. Connect Source

Use HDMI cable to link TX HDMI IN to your source device (e.g., set-top box, computer).



4. Connect Display

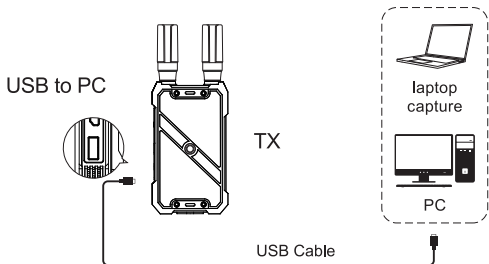
Link RX HDMI OUT to your TV/monitor's HDMI input via an HDMI cable.



HOW TO CONNECT - KVM SETUP

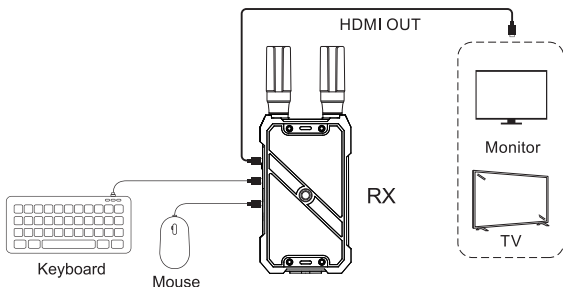
5. Connect TX to Computer

Use USB cable to link TX's USB port to the source computer.



6. Attach Peripherals to RX

Plug mouse/keyboard into RX's USB port.

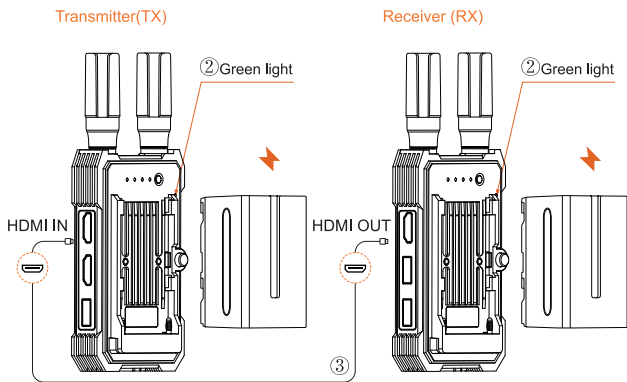


HOW TO PAIR



Attention!

If you find that TX/RX disconnecting properly, or if you need to add extra receiver (RX), please pair them before using them!



1. Power the TX and RX
2. Observe that the green link light will on.
3. Connect the HDMI IN port on TX and HDMI OUT port on RX with an HDMI cable.
4. After pairing successfully, both the green light on TX and RX will flash. Otherwise, the pairing fails.

NOTE:

1. If pairing fails, please reset the transmitter and receiver and re-powered them, then re-plug in the HDMI cable and try the pairing steps again.
2. After completing the pairing, please disconnect the power source of them and reconnect for normal use.

PRODUCT PARAMETERS

Transmission Distance Max:	1312FT (1TX to 1RX, Barrier-free and Interference-free)
Frequence	5GHz/2.4GHz
Video Decoding	H.265
Latency	≤0.05s
TX HDMI IN	1920x1080P@60Hz backward
TX LOOP OUT	1920x1080P@60Hz backward
RX HDMI OUT	1920x1080P@60Hz
Standard	HDMI1.3 / HDCP 1.4
Code Rate	20Mbps
Support Video Modes	1TX to 1RX / 1TX to 2RX 1TX to 3RX / 1TX to 4RX / 1TX to 5RX
Support KVM Mode	1TX to 1RX/2RX/3RX/4RX/5RX
KVM Delay	≤0.1S
Wireless Standard	802.11a/b/g/n/ac
Power Options	DC 5V/2A / NP-F Battery / USB-C
Audio Formats	AAC, FLAC, APE, AMR, Ogg Vorbis, RealAudio, WMA, MIDI, MPEG-4, MP3, MPEG, AIFF, WAVE, CD
Video Formats	AVI, MPEG, DivX, MOV, ASF, WMV, RMVB, QuickTime
Operating Temperature	-20 °C to 50 °C (-4 °F to 122 °F)
Operating Humidity	5% to 70% RH

ATTENTION

1. The product has been paired before leaving the factory, power them before use;
2. With the increase of RX, the wireless transmission distance will be shortened accordingly;
3. The wireless signal's penetration distance will be shortened by the medium;
4. Place the product in a safe location out of reach of children and keep the product dry;
5. TX and RX automatically switch to less congested channels based on wireless interference.
6. If malfunction occurs, restart or reset the devices to re-pair.
7. For missing / abnormal sound, modify the source device's audio output mode if needed.
8. If you encounter problems in the use of the product, please contact our after-sales customer service, we will be happy to help you solve.

